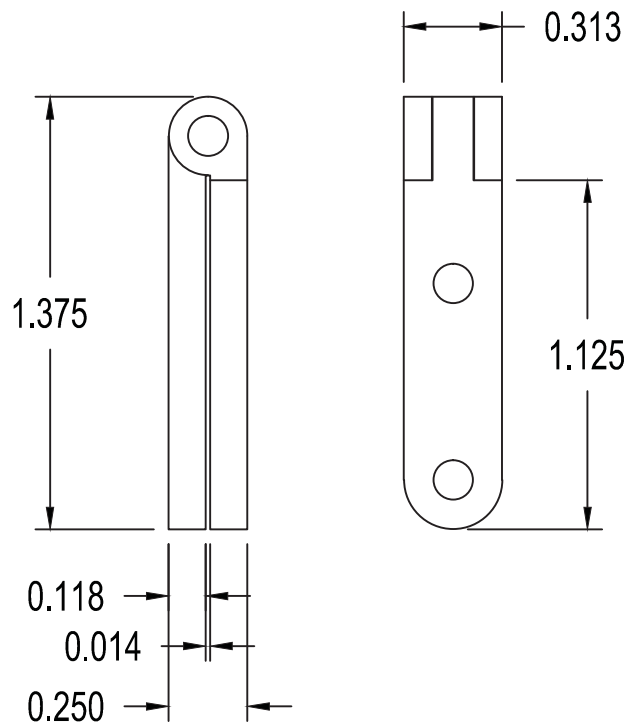
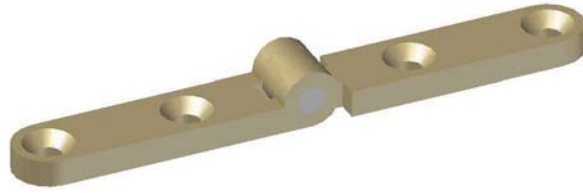


# SR-301



Questions- Call before mortising 212-337-8510

<b>BRUSSO</b> <sup>®</sup> <i>American Made</i> <b>PRECISION HARDWARE</b>	© 1983-2012 Brusso Hardware LLC 67-69 Greylock Avenue Belleville, NJ 07109 T 212-337-8510 F 212-337-9840	Product: SR-301 HINGE		Revision: 0
		Component: TEMPLATE	Material: BRASS	File Name: SR-301 HINGE
Tolerances unless otherwise specified: Machined features fraction ± 1/64 Decimal .xxx ± .005, Angular ± 1 Degree, Hole Diameter +.003/-0.02		Catalog No: SR-301	Drawn By: KA	Checked By: RB
		Scale: NONE	Date: 7/22/13	Date: 8/7/13
			Sheet: 1 of 4	